

Special Filter



Applications

Domestic water (drinking water with cartridge types A and B)

Process water (with cartridge type D)

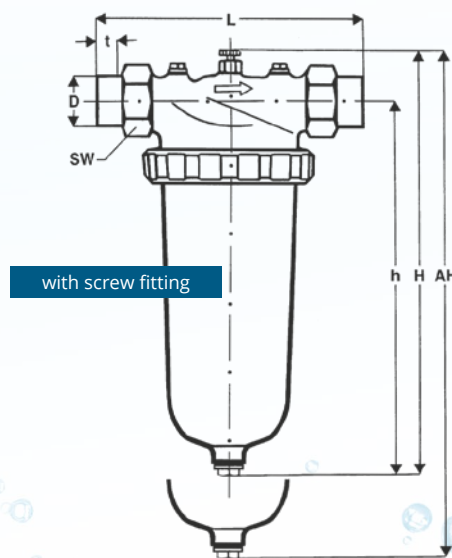
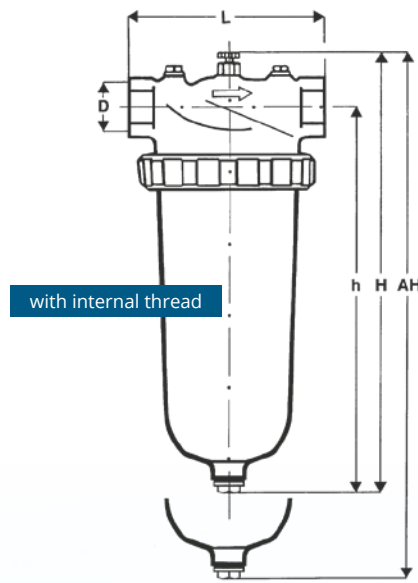
Hot water filtration (with cartridge type D)

The all-rounder of KÖPP filters:
Depending on the relevant application, there are three filter cartridges that offer tailored solutions with different properties.



MSM special filter adapter

One housing, many applications



Pressure gauge connection 1/8"

Application range

Max. temperature: 40°C (exception: max. 110°C when using cartridge type D and brass filter bowl), Operating pressure PN 10

If continuously operated at high temperatures, the seals may need to be replaced more frequently.

Version

Filter head made of brass; **transparent plastic filter bowl** (high impact, pressure surge resistant, permanently transparent, stress crack resistant) or brass filter bowl with 1/2" sealing plug provided as standard when fitted with filter cartridge

The MSM adapter water filters can be fitted with two pressure gauges with a 0-10 bar scale range so that the differential pressure can be determined and an indication of the contamination level can be provided (filter cartridge type D can be provided in combination with heating water pressure gauges).

Assembly

Horizontal mounting between two shut-off devices, preferably directly downstream from the water meter as per DIN 1988

Maintenance

For reasons of hygiene, filter cartridge types A and B must be changed at least once every six months. Cartridge type D must be cleaned at regular short intervals using a water or compressed air jet and a brush.

The pressure drop of dirty filter cartridges must not exceed 0.5 bar.

Depending on the task, there are three different filter cartridges of the same size (70/197 mm) for which the special filter (MSM adapter water filter) must be installed as the carrier:

Type A

Standard filter cartridge: **VYON® depth filtration cartridge** (low-pressure polyethylene): Filtration rating 25 µm or 80 µm, max. temperature 30°C

Type B

Special depth filtration cartridge made of **VYON® + rolled-up fleece**: Filtration rating of 5 µm, max. temperature 30°C

Type D

Hot water filter cartridge made of **stainless steel**: Filtration rating of 50 µm, max. temperature 110°C, other filtration rating upon request

		with internal thread				with screw fitting			
		25	32	40	50	External screw thread			
Screw fitting as per DIN 2999	D	Rp1"	Rp1¼"	Rp1½"	Rp2"	Rp¾"	Rp1"	Rp1¼"	
Dimensions in mm	L	124	135	150	160	192	223	253	
	h	268	268	278	284	268	268	268	
	H	309	309	323	336	309	309	309	
	AH	520	520	540	560	520	520	520	
	t					11	19	21.5	
	SW					37	46	52	
Weight with transparent filter bowl	ca. kg	2.6	2.6	3.1	3.5	2.8	3.0	3.4	
Weight with brass filter bowl	ca. kg	4.3	4.3	4.8	5.2	4.5	4.7	5.1	
Max. flow rate at Δp = 0.2 bar	Type A. Type D	m³/h	5.0	6.5	8.0	10.0	4.0	5.0	6.5
	Type B. Type E	m³/h	1.0	1.3	1.6	2.0	0.8	1.0	1.3

Your personal contacts in the filter technology team:



Victor Asselberghs
Key-Account-Manager
Filter technology
Mobile: +49 (0) 173 6521568



Julian Scherrers
Sales
Filter technology
Phone: +49 (0) 241 16605-31



Laure Walter
Sales
Filter technology
Phone: +49 (0) 241 16605-12